

■ PRO-62 | ANNULAR CUTTER DRILLING MACHINE

The PRO-62 drill equipped with 19 mm (3/4") Weldon tool holder uses TCT and HSS annular cutters that cut only a groove at the periphery of the hole, leaving a solid core or slug at the center. Strong 1600 W motor enables cutting capacity up to 65 mm (2-9/16") and depth of cut up to 75 mm (3"). Dual guide bars design empowers maintenance free rail guide system.

■ Features and benefits:

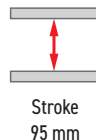
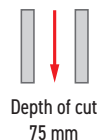
- 1600 W powerful motor with heavy duty 2-speed gearbox
- maintenance free rail guide system thanks to dual guide bars
- innovative smart magnet with reduced weight
- rigid design extends tool life
- milling with TCT or HSS cutters
- drilling with twist drills feat. Weldon shank
- large coolant container



Milling capacity up to 65 mm (2-9/16")



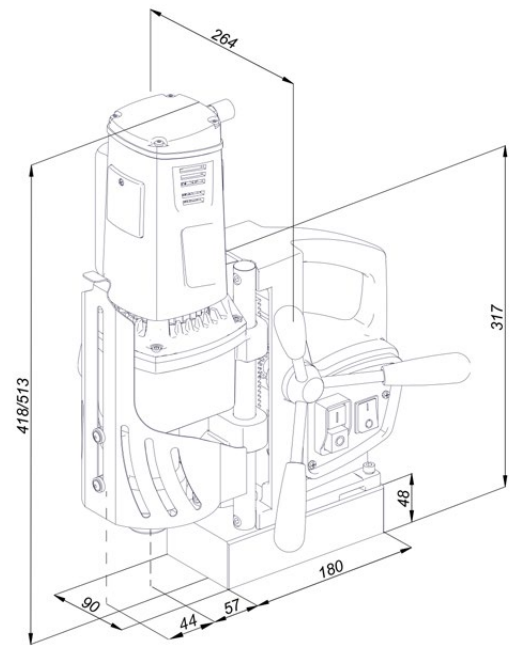
Max depth of cut up to 75 mm (3")



PRO-62 - TECHNICAL SPECIFICATION

Motor Speeds (under load)	160 rpm (gear I) 390 rpm (gear II)
Motor Power	1600 W
Weight	17 kg (37 lbs)
Max milling capacity	65 mm (2-9/16")
Stroke	95 mm (3-3/4")
Max depth of cut	75 mm (3")
Voltage	1~ 220-240 V, 50-60 Hz 1~ 110-120 V, 50-60 Hz
Magnetic clamping force (surface with the thickness of 25 mm and roughness Ra = 1.25)	1122 kG (11 000 N)
Magnet Base Dimensions	90 mm × 180 mm × 48 mm 3-9/16" x 7" x 1-7/8"
Min. Workpiece Thickness	8 mm (5/16)
Tool holder	19 mm (3/4") Weldon
Product Code 220-240 V, 50-60 Hz	WRT-0630-10-20-00-0
Product Code 110-120 V, 50-60 Hz	WRT-0630-10-10-00-0
Product Code 110-120 V, 50-60 Hz	WRT-0630-10-10-00-0

Dimensions:



Standard shipping set:

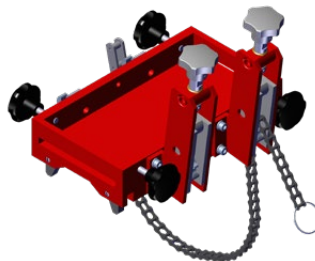
- Drilling machine
- Plastic box
- Cooling system
- Handle (3 pcs)
- Safety strap
- 4 mm hex wrench with a handle
- Operator's Manual



More optional accessories:



Pipe attachment DMP 251
for pipes with diameters of
80-250 mm (3-10")
Product code: PDS-0110-03-00-01-0



Pipe attachment DMP 501
for pipes with diameters of
150-500 mm (6-20")
Product Code: PDS-0111-03-00-01-0



Pressure cooling system capacity of 2 liters
Product Code: UKL-0440-16-00-00-0

All information is subject to change without notice. 1909



PROMOTECH Sp. z o.o.
ul. Elewatorska 23/1, 15-620 BIAŁYSTOK, POLAND
tel. (+48 85) 678 34 05, fax (+48 85) 662 78 77
marketing@promotech.eu www.promotech.eu

Your local dealer:

