

■ PRO-40 PBS | PIPE BEVELLING MACHINE

PRO 40 PBS is designed for beveling and facing pipes, tanks or tubes in a range of diameters from 200mm to 1000mm (8-40"). High-speed rotary milling head with replaceable inserts enables effective and efficient machining with bevel widths up to 45mm (1-3/4") and angles between 0° and 60°. Internal beveling and J-groove end preparation is optionally available.



Use of heavy duty milling head in PRO 40 PBS offers accurate bevels in a fraction of the time compared to traditional single point machining. This feature saves time and money by excellent efficiency.

- | | | | | | | | |
|----------------------|-------------------------|----------------------------|--------------------|------------|------------------|------------------|------------------------|
| | | | | | | | |
| Max bevel width 45mm | Min. wall thickness 5mm | Bevel angle from -60 to 60 | Pipe OD 200-1000mm | Facing off | Pipe ID beveling | Pipe OD beveling | Pipe J-groove beveling |

PRO 40 PBS Technical specification

Power supply	1~ 208 – 230 V, 50/60 Hz 3~ 208 – 230 V, 50/60 Hz
External pipe diameter range	200 - 1000mm (8"– 40") pipes longer than 830mm; 200 – 600 mm (8"– 23-5/8") pipes of 400-830mm length
Maximum allowed pipe weight	10 000 kg (22 000 lbs)*, if active support equipped with optional steel rollers
Min. pipe wall thickness	5 mm (3/16")
Pipe fixing	mechanical with chain
Feed rate	100-1100 mm/min
Beveling angle range	0-60° with continuous angle adjustment
Max OD bevel width	45mm (1-3/4")
Max ID bevel width	5mm (1/4") standard, up to 20mm ("13/16) - option
Beveling type „J”	YES - option
„J” type beveling radius	0.24 in./6mm or 0.31 in./8 mm
Product Code	UKS-0436-10-20-00-1

* 6000 kg (13 200 lbs) for plastic rollers of active support (standard)

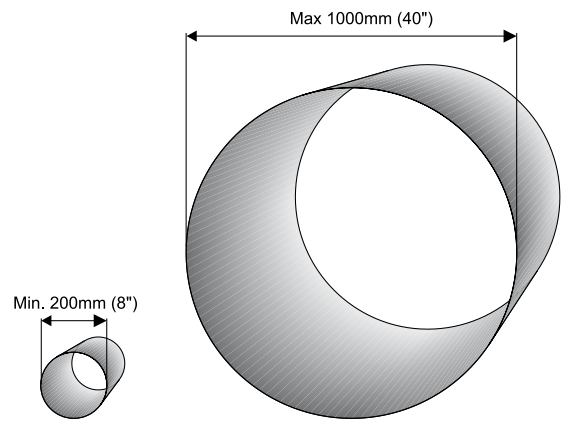
Standard shipping set:

- stationary pipe beveling machine
- active support (with plastic rollers)
- passive support (with steel rollers)
- standard milling head with 7 cutting inserts
- set of guiding chains
- 10 mm hex wrench
- 8 mm hex wrench
- 5 mm hex wrench
- torx T15P screwdriver
- Operator's Manual
- wooden box

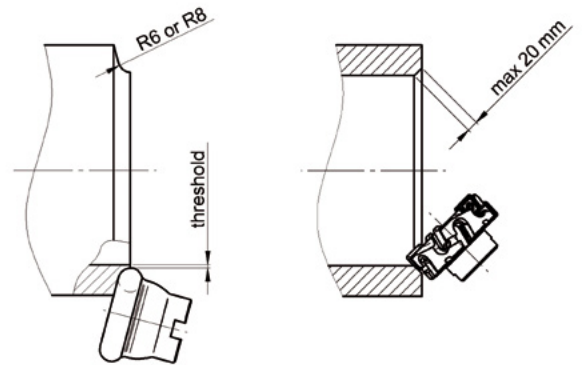


User-friendly control panel

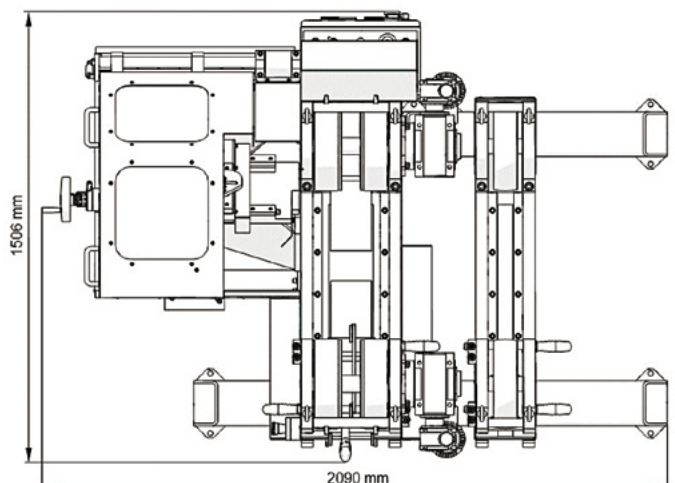
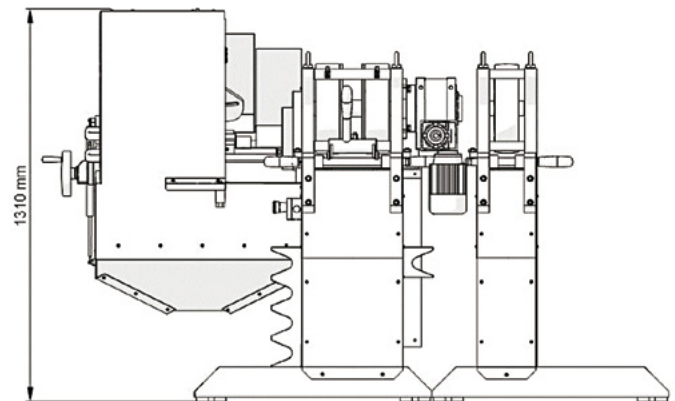
Range of diameters from 200mm up to 1000mm (8-40")



Operations with optional milling heads



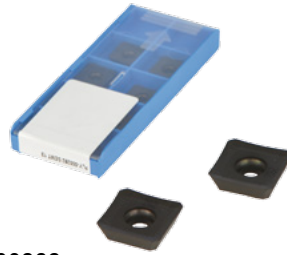
Overall dimensions:



Beveling – standard accessories



GLW-000013
Standard Milling head
(7 inserts required)



PLY-000282
Cutting inserts for beveling
1pc (sold 10pcs/box)



SRB-000311
Insert fixing screw for
PLY-000282

J-Groove Beveling - option



GLW-000014
J-groove R6 milling head
(6 inserts R6 required)



PLY-000198
Cutting insert for J groove R6 end
preparation 1pc (sold 10pcs/box)



SRB-000297
Insert fixing screw for
PLY-000198



GLW-000015
J-groove R8 milling head
(5 inserts R8 required)



PLY-000201
Cutting insert for J groove R8 end
preparation 1pc (sold 10pcs/box)

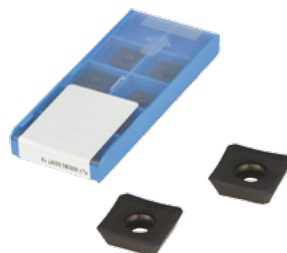


SRB-000367
Insert fixing screw for
PLY-000201

Internal Beveling – option



GLW-0436-19-00-00-0
Milling head for internal beveling



PLY-000282
Cutting inserts for beveling
1pc (sold 10pcs/box)



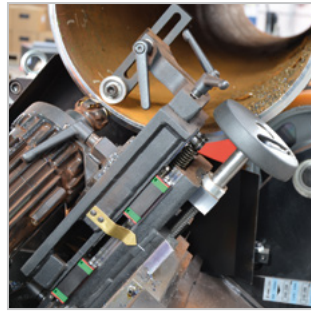
SRB-000311
Insert fixing screw for
PLY-000282

Beveling of short pipes – option



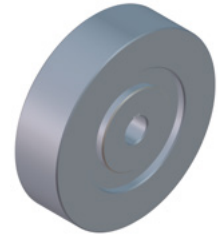
DCS-0436-12-00-00-0
Clamping device for short pipes
of 400-830mm length

Beveling of oval pipes – option



WSP-0436-24-00-00-0
Oval pipe tracking attachment
Available either with brand new
machine or for retrofitting

Beveling pipes up to 10 tons -option



KOL-0436-23-00-00-0
Steel roll for active pipe
support 1pc (4pcs required)

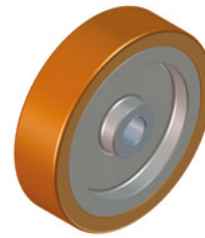
Stainless Steels Beveling - option



LNC-0436-25-01-00-0
Set of guiding chains
for Stainless Steel



DCS-0436-25-10-00-0
Clamping device for short
Stainless Steel pipes



KOL-000077
Wheel with Vulkollan tire
1pc (2 pcs needed)

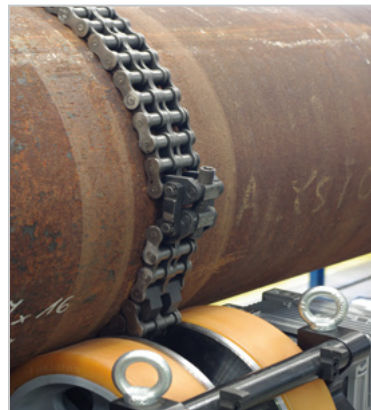


RLK-0436-25-11-00-0
Stainless Steel roll for
oval pipe tracking attachment

Features and benefits



Shields and internal lighting increase
safety and comfort of the operator



Adjustable chain
(\varnothing 200–1000mm) ensures
positive axial rotation



Heavy-duty adjustable pipe
support (\varnothing 200–1000mm)



PROMOTECH Sp. z o.o.
ul. Elewatorska 23/1, 15-620 BIAŁYSTOK, POLAND
tel. (+48 85) 678 34 05, fax (+48 85) 662 78 77
marketing@promotech.eu www.promotech.eu

Your local dealer: