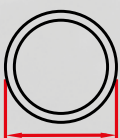


■ PPCM 650 | PIPE PROFILE CUTTING MACHINE

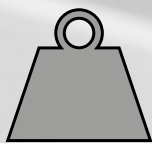


- The CNC controlled Pipe Profile Cutting Machine allows 3D cutting/beveling using oxy-fuel or plasma. Made in Europe with high quality components only.

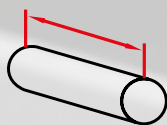
Recommended optional software Lantek Flex 3D Tubes allows users to import CAD geometry, design tubes using a set of standard shapes, or construct them from 2D outlines and generate them with any type of contour project through the tube.



Pipe OD 50-650 mm
(2" - 24")



Weight 3T



Max. pipe length 6 or 12 m



3D Oxy-fuel cutting



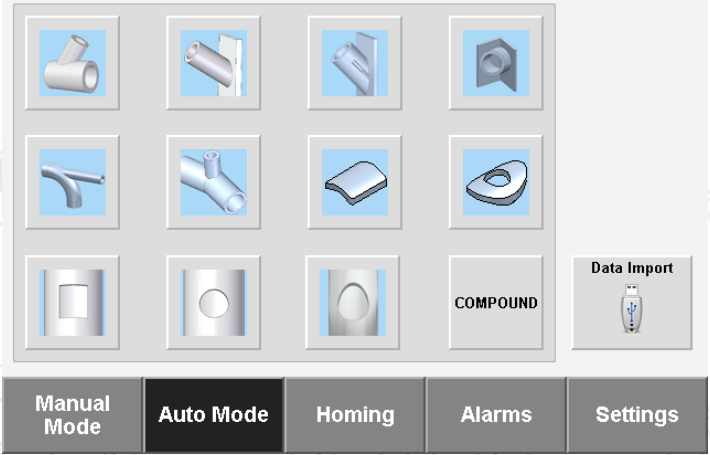
3D Plasma cutting



CAD/CAM file transfer thru
Lantek Flex 3D Tubes (option)

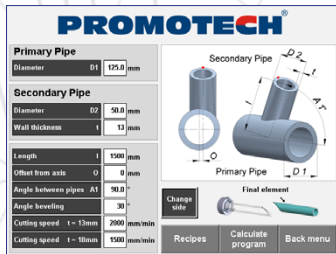
User-friendly control system permits fast shape programming.

Integrated library of macros allows for parametric definition of typical pipe joints.

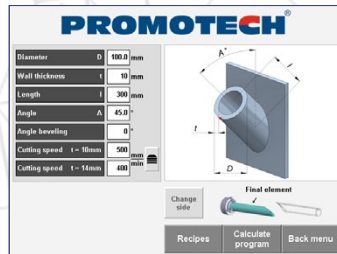


Example macros:

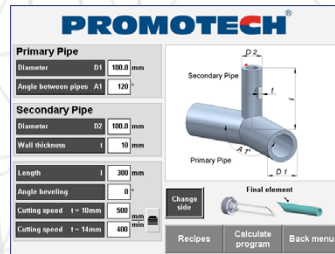
- Saddle connection



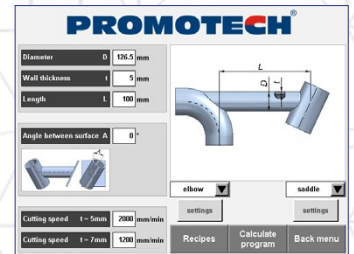
- Plane connection



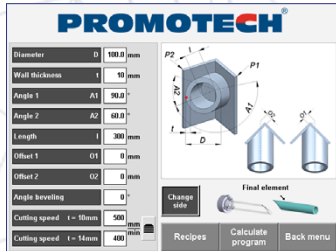
- Joint connection



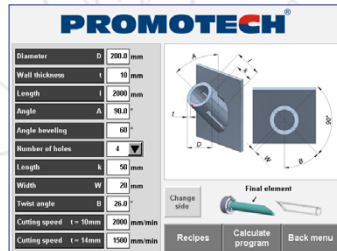
- Miter cut with plane or pipe with defined twist angle



- Miter cut



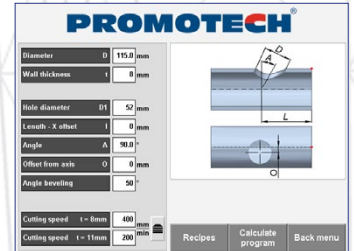
- Miter cut with fin



- Hole cutting

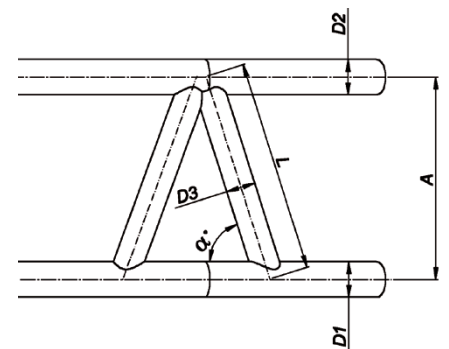
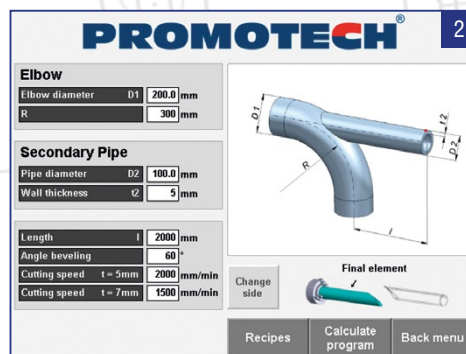
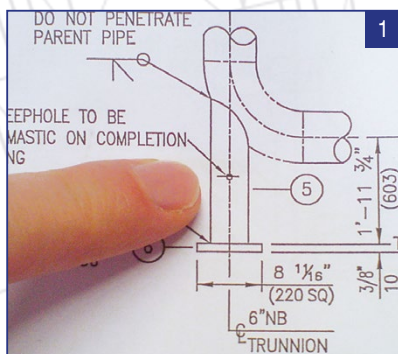


- Hole cutting with or without beveling



Optimal cutting angles and torch paths are calculated by the PPCM control system.

Programming in 3 steps (e.g. Pipe - Elbow):

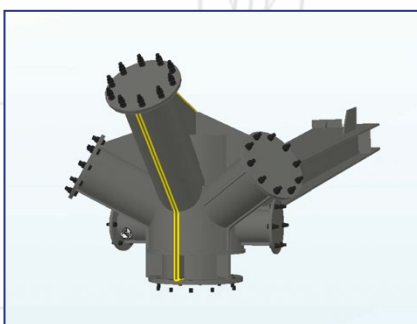
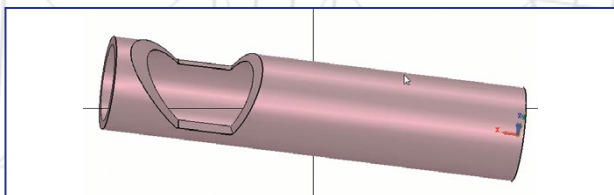
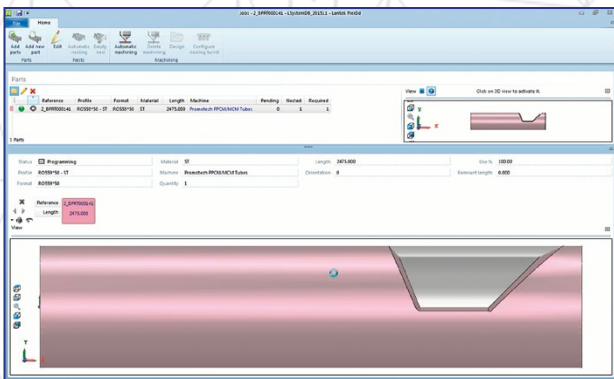
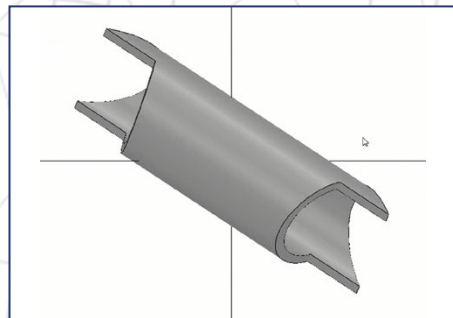
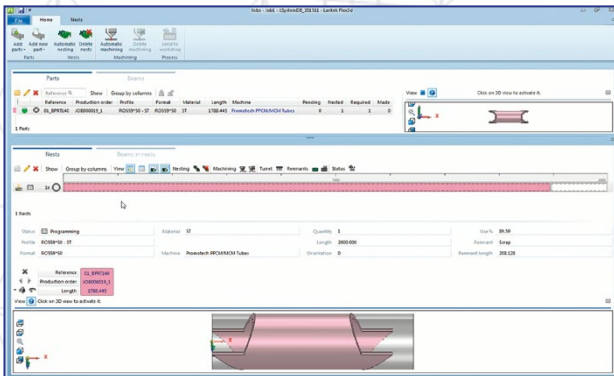


As recommended option Promotech advice a simple way of generating the CNC code necessary to cut complex pipe intersection shapes with the Lantek Flex3d Tubes software, that takes into account that PPCM has five axis capability.

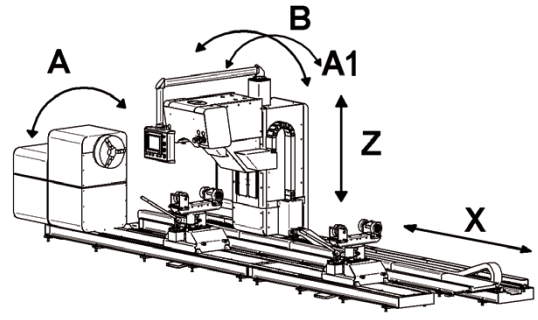
Thanks to Lantek you are able to import CAD geometry, design tubes using a set of standard shapes, or construct them from 2D outlines and generate them with any type of contour projected through the tube.

Input file formats include Tekla importer, SAT, STEP, IFC...

lantek



■ Plasma cutting



PPCM 650 - Pipe Profile Cutting Machine

■ Fume exhaust system (option)



PPCM 650 TECHNICAL SPECIFICATION

Pipe OD diameter	50 - 650 [mm] / 2" - 24"
Max. pipe length	6 or 12 [m]
Cutting method:	Standard: oxy-fuel
Cutting method: Plasma	OPTION
Admissible ambient temperature	5 - 50 [°C]
Airconditioning of control cabinet	YES
Pipe support	2 pcs., max. load 2[T]/each Additional supports on request
Vertical oval compensation mechanism	Included
Ignition: Oxy-fuel / Plasma	Manual / Automatic
Menu language	English, Russian, Turkish, Ukrainian, Chinese Other languages are optional
Fume exhaust system	Option
Auto nesting of multiple parts	Option
Transfer of NC data from CAD: Tekla files, SAT,STEP,IFC files thru LANTEK	Option



All information is subject to change without notice. 1709



PROMOTECH Sp. z o.o.
ul. Elewatorska 23/1, 15-620 BIAŁYSTOK, POLAND
tel. (+48 85) 678 34 05, fax (+48 85) 662 78 77
marketing@promotech.eu www.promotech.eu

Your local dealer:

