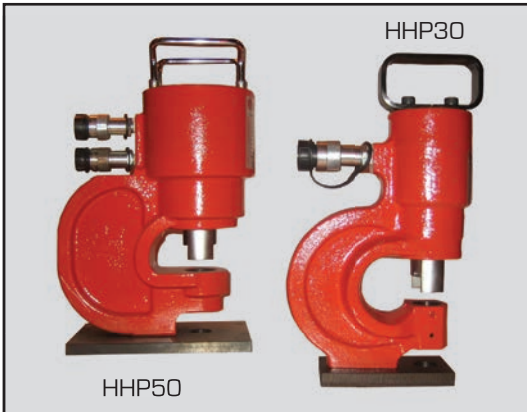


## HHP - HOLE PUNCHERS

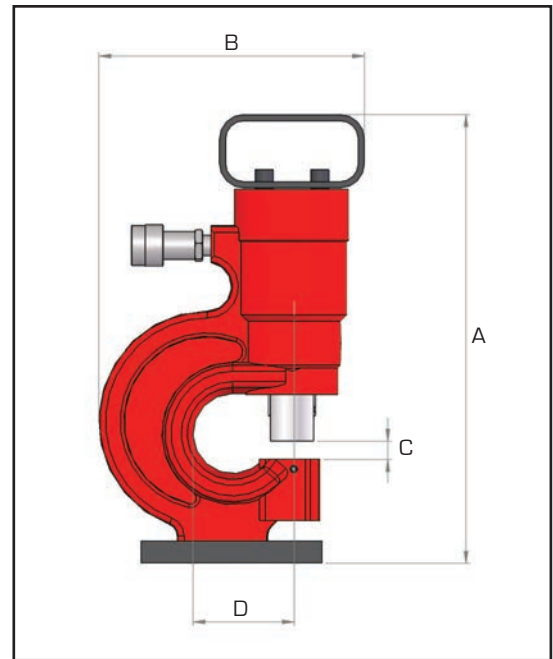


Punching force up to 50 tonnes

Throat depth 70mm

Working pressure 700 Bar

The Hi-Force HHP series hydraulic hole puncher range offers a choice of two models comprising of the HHP30, 30 tonnes capacity single acting version, and the HHP50, 50 tonnes capacity double acting version. Both models are suitable for punching holes in steel plate as per the respective capacity of each model and are supplied complete with standard punch and die sets and an integral positioning and carrying handle. See pages 29-50 for detailed information of suitable pumps for use with HHP series punchers.



K

| Model number | Maximum force tonnes | Throat depth mm | Punch capacity (mm) |                     | Standard punch/die sets included mm | Recommended pump & hose               |   | Weight excl. pump kg |
|--------------|----------------------|-----------------|---------------------|---------------------|-------------------------------------|---------------------------------------|---|----------------------|
|              |                      |                 | Steel plate         | Hole punch diameter |                                     | Manually operated                     | Pneumatically operated                  |                      |
| <b>HHP30</b> | 30                   | 70              | 10.0                | up to 20.5          | 10.5, 13.5<br>17.5, 20.5            | HP232<br>complete with<br>HC3 3m hose | AHP1120<br>complete with<br>HC3 3m hose | 13                   |
| <b>HHP50</b> | 50                   | 70              | 15.0                | up to 25.5          | 10.5, 13.5<br>17.5, 20.5, 25.5      | HP232D<br>c/w 2 x HC3                 | AHP1141<br>c/w 2 x HC3                  | 42                   |

Note: pump supplied separately

| Model number | Dimensions in mm |     |    |      |
|--------------|------------------|-----|----|------|
|              | A                | B   | C  | D    |
| <b>HHP30</b> | 370.0            | 220 | 13 | 78.0 |
| <b>HHP50</b> | 413.5            | 281 | 15 | 70.6 |



The HHP30 is single acting operation, the HHP50 is double acting operation