

HLS - SINGLE ACTING LOW HEIGHT CYLINDERS



Capacities from 10 to 147 tonnes

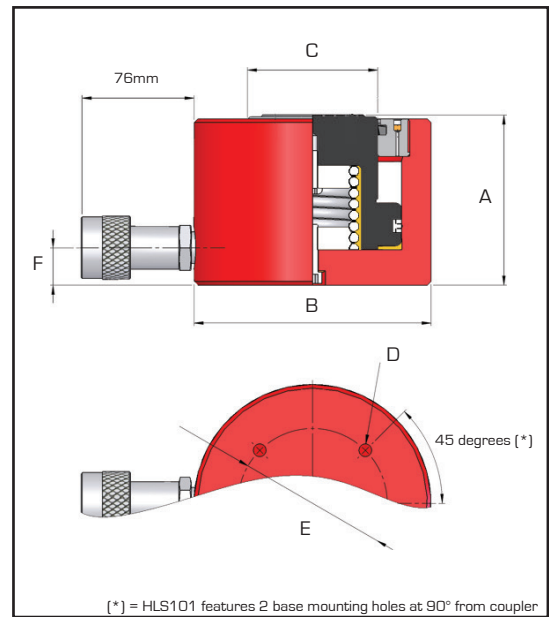
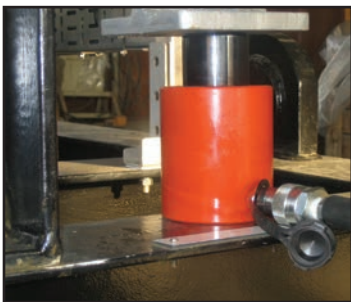
Stroke lengths from 25 to 60mm

Working pressure 700 Bar

B

The HLS low height cylinder range is the most widely used Hi-Force cylinder design in the world today. All models have spring assisted return pistons and combine low closed height with optimum stroke lengths. Offering a compact, powerful force for a wide variety of applications in many industries including power generation, ship building & repair, construction, railways, mining, steel works, oil & gas and many others. The HLS range offers a compact, portable option in an inexpensive package.

- >> Spring assisted return
- >> Nitrocarburised piston rod
- >> Low friction bearing surfaces
- >> Anti-extrusion seals



| Model number | Capacity tonnes | Stroke mm | Oil cap. cm ³ | Cyl. eff. area cm ² | Weight kg |
|--------------|-----------------|-----------|--------------------------|--------------------------------|-----------|
| HLS101 | 10 | 40 | 58 | 14.4 | 2.4 |
| HLS201 | 20 | 44 | 126 | 28.6 | 4.8 |
| HLS301 | 32 | 25 | 114 | 45.6 | 5.0 |
| HLS302 | 32 | 60 | 274 | 45.6 | 7.0 |
| HLS501 | 50 | 25 | 178 | 71.3 | 8.4 |
| HLS502 | 50 | 60 | 428 | 71.3 | 10.4 |
| HLS1001 | 109 | 25 | 384 | 153.4 | 19.8 |
| HLS1002 | 109 | 60 | 921 | 153.4 | 24.0 |
| HLS1501 | 147 | 25 | 516 | 206.2 | 37.0 |
| HLS1502 | 147 | 50 | 1031 | 206.2 | 42.0 |

| Dimensions in mm | | | | | |
|------------------|-----|-----|-----|-----|----|
| A | B | C | D | E | F |
| 95 | 70 | 38 | M8 | 40 | 19 |
| 102 | 90 | 51 | M8 | 60 | 19 |
| 83 | 102 | 60 | M8 | 80 | 19 |
| 119 | 102 | 60 | M8 | 80 | 19 |
| 91 | 127 | 70 | M8 | 80 | 20 |
| 126 | 127 | 70 | M8 | 80 | 20 |
| 108 | 178 | 114 | M12 | 140 | 30 |
| 143 | 178 | 114 | M12 | 140 | 30 |
| 130 | 216 | 114 | M12 | 165 | 41 |
| 155 | 216 | 114 | M12 | 165 | 41 |