

EQUALIZERTM
INTERNATIONAL

FLANGE TOOL INNOVATION

PRODUCT DATA SHEET

VC10/18TE HYDRAULIC SECURE-GRIP VALVE CHANGE-OUT TOOL

SPREADING FORCE:

With 700 bar (10 000 psi): 100 kN (10 T)

It is recommended that tools are used in pairs giving:

2 x 100 kN = 200 kN (20 T)

SPREADING STROKE: 151 mm (5.9")

TOOL-KIT WEIGHT: 58.0 kg (127.9 lb)

KIT CONTENTS

Product Code: VC10/18TESTD

TOOL-KIT

- 1 x VC10/18TE Tool
- 2 x M60 (2 3/8") Collets
- 2 x M64 (2 1/2") Collets
- 2 x M70 (2 3/4") Collets
- 1 x Instruction Manual
- 1 x Carry-Case with foam inserts

Carry-Case Dimensions:

550 mm x 1200 mm x 170 mm
(21.7" x 47.2" x 6.7")

Tool-Kit Weight: 58.0 kg (127.9 lb)

PUMP-KIT

- 1 x HP550S Hydraulic Hand Pump
- 1 x Hydraulic Gauge with manifold
- 1 x 2.0 m Hydraulic Hose
- 1 x Secure Grip Safety Block
- 1 x Square Drive Flexible Handle
- 1 x Vernier Calliper
- 1 x Instruction Manual
- 1 x Carry-Case with foam inserts

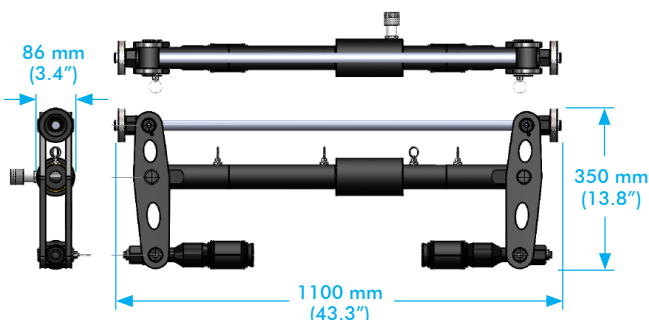
Carry-Case Dimensions:

550 mm x 1200 mm x 170 mm
(21.7" x 47.2" x 6.7")

Pump-Kit Weight: 27.0 kg (59.5 lb)



TOOL DIMENSIONS



Gross Kit Weight: 85.0 kg (187.4 lb)
(Tool-Kit and Pump-Kit)

info@equalizerinternational.com
www.equalizerinternational.com

VC10/18TE

HYDRAULIC SECURE-GRIP
VALVE CHANGE-OUT TOOL



FLANGE TOOL INNOVATION

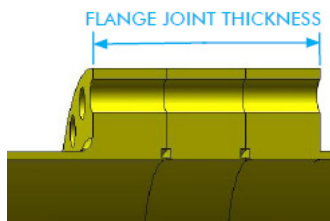
RANGE OF APPLICATION

The VC10/18TE can be reconfigured with alternative collets (supplied) to suit the following flange bolt-hole diameters:

Collet	Minimum bolt-hole diameter	Maximum bolt-hole diameter
M60 (2 3/8")	59.5 mm (2.34")	63 mm (2.48")
M64 (2 1/2")	63 mm (2.48")	69 mm (2.72")
M70 (2 3/4")	69 mm (2.72")	75 mm (2.95")



MODULAR CONFIGURATION

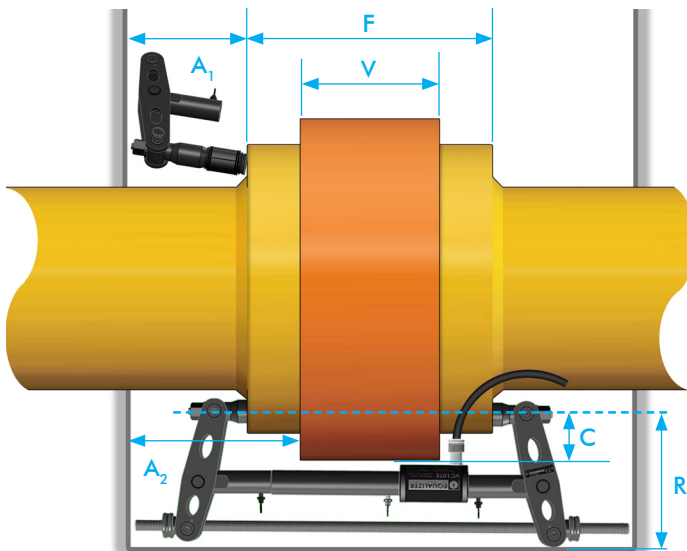


The Actuator and Extension Subassembly can be assembled into 4 different configurations to suit a variety of flange joint thicknesses from 176 mm (6.9") to 690 mm (27.2").



SPATIAL ENVELOPE

	DIMENSION	MEASURED FROM	MEASURED TO	MINIMUM	MAXIMUM
F	Flange Joint Thickness	Outside Face of Flange	Outside Face of Flange	176 mm (6.9")	690 mm (27.2")
V	Valve/Spacer Thickness	Inside Face of Flange	Inside Face of Flange	0 mm (0.0")	514 mm (20.2")
C	Flange Clearance	Bolt-Hole Circle	Largest OD of Valve/Spacer	-	130 mm (5.1")
R	Radial space	Bolt-Hole Circle	Closest Obstruction	360 mm (14.2")	-
A ₁	Axial space (for installation)	Outside Face of Flange	Closest Obstruction	300 mm (11.8")	-
A ₂	Axial space (installed)	Inner Face of Flange	Closest Obstruction	370 mm (14.6")	-



Contact Equalizer International if your application does not appear to suit standard tools.