

FLANGE TOOL INNOVATION

# PRODUCT DATA SHEET

## VC10/13TE HYDRAULIC SECURE-GRIP VALVE CHANGE-OUT TOOL

### SPREADING FORCE:

With 700 bar (10 000 psi): 100 kN (10 T)

It is recommended that tools are used in pairs giving:

2 x 100 kN = 200 kN (20 T)

SPREADING STROKE: 151 mm (5.9")

TOOL-KIT WEIGHT: 50.0 kg (110.2 lb)

### KIT CONTENTS

Product Code: VC10/13TESTD

#### TOOL-KIT

- 1 x VC10/13TE Tool
- 2 x M39 (1 1/2") Collets
- 2 x M42 (1 5/8") Collets
- 2 x M45 (1 3/4") Collets
- 1 x Instruction Manual
- 1 x Carry-Case with foam inserts

#### Carry-Case Dimensions:

550 mm x 1200 mm x 170 mm  
(21.7" x 47.2" x 6.7")

Tool-Kit Weight: 50.0 kg (110.2 lb)

#### PUMP-KIT

- 1 x HP550S Hydraulic Hand Pump
- 1 x Hydraulic Gauge with manifold
- 1 x 2.0 m Hydraulic Hose
- 1 x Secure Grip Safety Block
- 1 x Square Drive Flexible Handle
- 1 x Vernier Calliper
- 1 x Instruction Manual
- 1 x Carry-Case with foam inserts

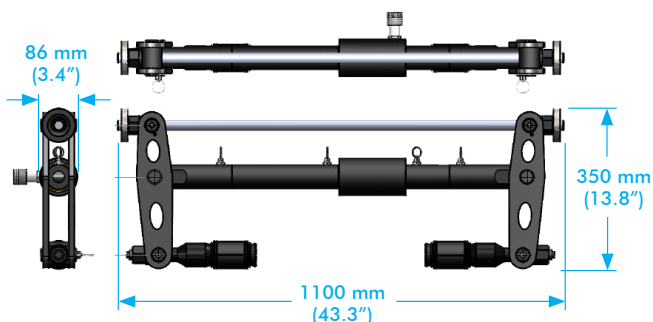
#### Carry-Case Dimensions:

550 mm x 1200 mm x 170 mm  
(21.7" x 47.2" x 6.7")

Pump-Kit Weight: 27.0 kg (59.5 lb)



### TOOL DIMENSIONS



Gross Kit Weight: 77.0 kg (169.8 lb)  
(Tool-Kit and Pump-Kit)

info@equalizerinternational.com  
www.equalizerinternational.com

# VC10/13TE

HYDRAULIC SECURE-GRIP  
VALVE CHANGE-OUT TOOL



FLANGE TOOL INNOVATION

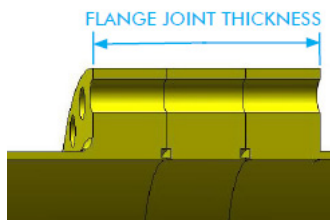
## RANGE OF APPLICATION

The VC10/13TE can be reconfigured with alternative collets (supplied) to suit the following flange bolt-hole diameters:

Collet	Minimum bolt-hole diameter	Maximum bolt-hole diameter
<b>M39 (1 1/2")</b>	38 mm (1.50")	42 mm (1.65")
<b>M42 (1 5/8")</b>	41 mm (1.61")	45 mm (1.77")
<b>M45 (1 3/4")</b>	44 mm (1.73")	49 mm (1.93")



## MODULAR CONFIGURATION

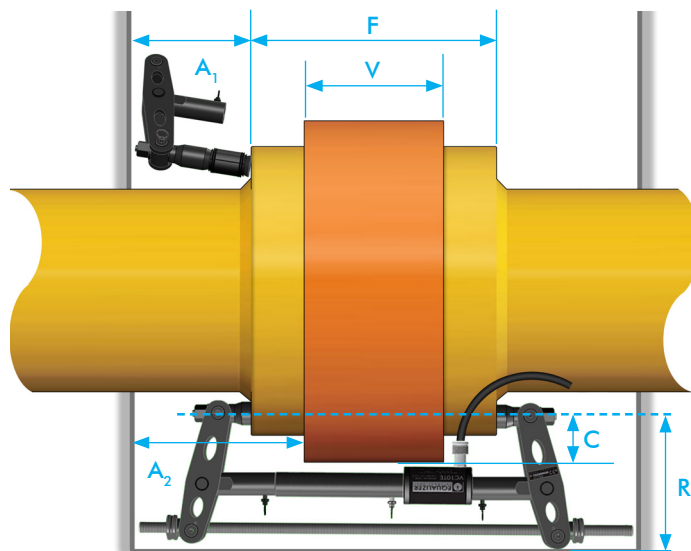


The Actuator and Extension Subassembly can be assembled into 4 different configurations to suit a variety of flange joint thicknesses from 110 mm (4.3") to 690 mm (27.2").



## SPATIAL ENVELOPE

	DIMENSION	MEASURED FROM	MEASURED TO	MINIMUM	MAXIMUM
F	Flange Joint Thickness	Outside Face of Flange	Outside Face of Flange	110 mm (4.3")	690 mm (27.2")
V	Valve/Spacer Thickness	Inside Face of Flange	Inside Face of Flange	*0 mm (*0.0")	*580 mm (*22.8")
C	Flange Clearance	Bolt-Hole Circle	Largest OD of Valve/Spacer	-	130 mm (5.1")
R	Radial space	Bolt-Hole Circle	Closest Obstruction	360 mm (14.2")	-
A <sub>1</sub>	Axial space (for installation)	Outside Face of Flange	Closest Obstruction	300 mm (11.8")	-
A <sub>2</sub>	Axial space (installed)	Inner Face of Flange	Closest Obstruction	370 mm (14.6")	-



\*Short Collet Holder Kits (SCH) are available which can offer improved range of application.

Contact Equalizer International if your application does not appear to suit standard tools.